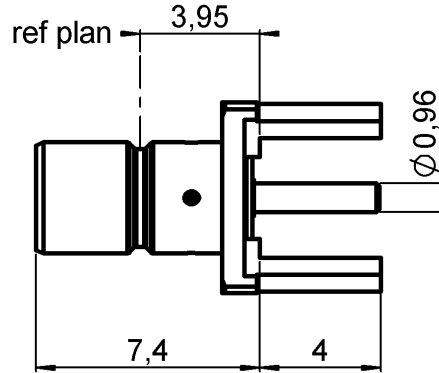
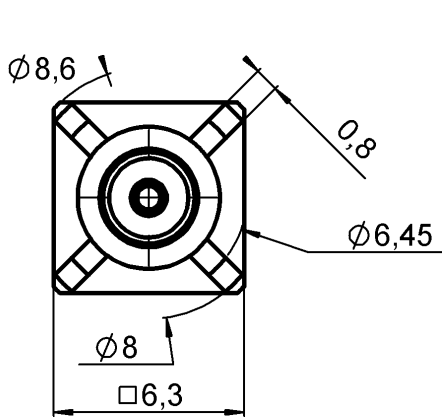


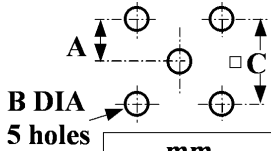
STRAIGHT PLUG MALE PCB NON MAGNETIC

R114.426.197

Series : SMB

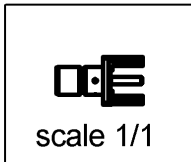
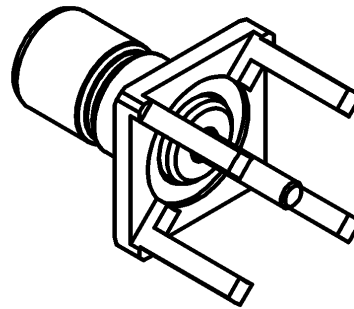


PANEL CUT OUT



B DIA
5 holes

	mm	
	Maxi	mini
A	2.59	2.49
B	1.40	1.30
C	5.16	5.00



All dimensions are in mm.



COMPONENTS	MATERIALS	PLATING (µm)
BODY	BRONZE	GBR 2
CENTER CONTACT	BRONZE	GOLD 1.3 OVER COPPER 2.5
OUTER CONTACT	-	-
INSULATOR	PTFE	-
GASKET	-	-
OTHERS PARTS	-	-
-	-	-
-	-	-

Issue : 0620 A

In the effort to improve our products, we reserve the right to make changes judged to be necessary.



STRAIGHT PLUG MALE PCB NON MAGNETIC

R114.426.197

Series : SMB

PACKAGING

SPECIFICATION

Standard	Unit	Other
100	'W' option	Contact us

ELECTRICAL CHARACTERISTICS

ENVIRONMENTAL

Impedance	50	Ω
Frequency	0-4	GHz
VSWR	*1.05 + 0,0080	x F(GHz) Maxi
Insertion loss	0.03	\sqrt{F} (GHz) dB Maxi
RF leakage	NA	- F(GHz) dB Maxi
Voltage rating	500	Veff Maxi
Dielectric withstanding voltage	1000	Veff mini
Insulation resistance	1000	M Ω mini

Operating temperature	-65/+165	$^{\circ}$ C
Hermetic seal	NA	Atm.cm3/s
Panel leakage	NA	

OTHER CHARACTERISTICS

Assembly instruction

Others :

*Coaxial transmission line only

Distortion of the magnetic field

<0.5 ppm at 10mm at Bo = 1.5 Tesla

MECHANICAL CHARACTERISTICS

Center contact retention		
Axial force – Mating end	10	N mini
Axial force – Opposite end	10	N mini
Torque	NA	N.cm mini
Recommended torque		
Mating	NA	N.cm
Panel nut	NA	N.cm
Mating life	500	Cycles mini
Weight	0,5900	g

Issue : 0620 A

In the effort to improve our products, we reserve the right to make changes judged to be necessary.

